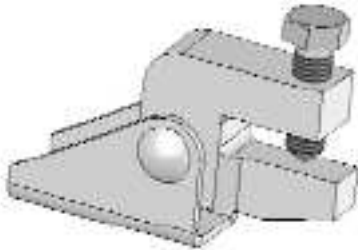


data sheet

ARGCO



Model 030 C-CLAMP STRUCTURAL ATTACHMENT

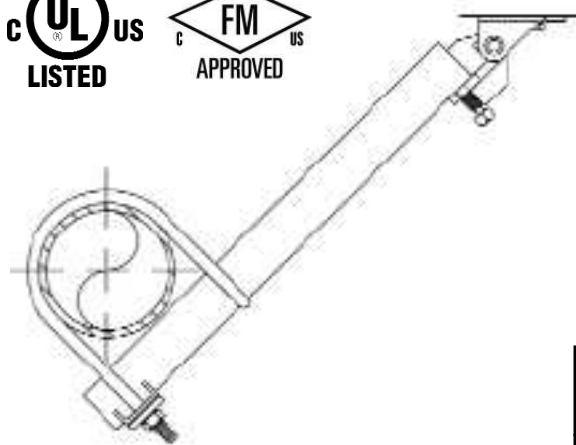
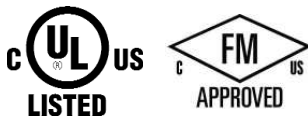


FUNCTION:

Designed for bracing pipe against sway and seismic disturbances. Universal swivel design allows for attachment at any surface angle combined with concentric loading. Structure attachment fitting designed to use 1" through 2" bracing pipe and structural steel as sway bracing element. No bracing member thicker than 3/8" or thinner than 9/64" material can be used in conjunction with this product.

CROSS REF:
Erico: CSBUNIV
Afcon: 076
Tolco: 980

Utilize the Model 030 with a PHD Manufacturing pipe attachment fitting and a bracing element to form a complete sway brace assembly. Sway brace assemblies are intended to be installed in accordance with NFPA13 and the manufacturer's installation instructions.



SIZE:

1/2" mounting bolt hole and UL Listed for 8" Pipe MAX

FINISH:

Electro-galvanized

MATERIAL:

Ductile Iron and Low Carbon Steel

Item #	Brace Member	Member Thickness	Maximum Design Load
2550630	2" Pipe	SCH 40	2015 lbs
	Structural Steel	9/64 thru 3/8" thick	Refer to NPFA 13

*Note: Structural Steel as classified in NFPA 13 such as Schedule 40 Pipe, Angles and Flats

INSTALLATION:

Insert brace pipe into fitting against back of jaw. Tighten set screw fingertight, then tighten until hexhead breaks off. Adjust attachment to proper brace angle and mount to structure.

Listed for use with NFPA fastener tables and PHD pipe attachments only.

APPROVALS:

Underwriters Laboratories listed for US and Canada
Listed for use with NFPA and PHD sway brace components only.

The information contained herein is produced in good faith and is believed to be reliable but is for guidance only. ARGCO and its agents cannot assume liability or responsibility for results obtained in the use of its product by persons whose methods are outside or beyond our control. It is the user's responsibility to determine the suitability of any of the products, methods of use, or preparation prior to use, mentioned in our literature. It is the user's responsibility to observe and adapt such precautions as may be advisable for the protection of personnel and property in the handling and use of any of our products.

**FOR MORE INFORMATION CALL ARGCO AT 1-800-854-1015
OR LOG ONTO WWW.ARGCO.COM**