

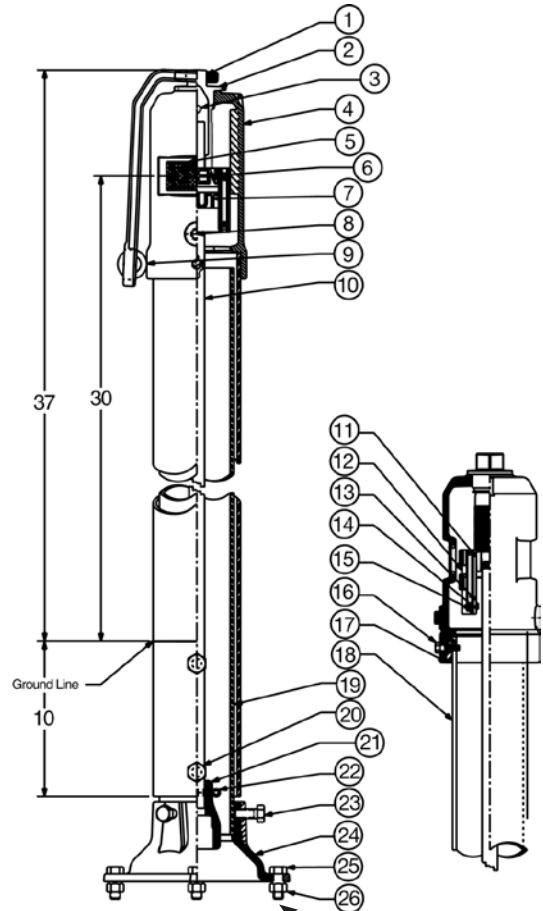
# Indicator Posts

Fire Protection • Upright Posts • For use with non-rising stem indicator post style gate valves

UL LISTED • FM APPROVED

## MATERIAL LIST

PART	SPECIFICATION
1. Locking Wrench	Cast Iron ASTM A126 Class B
2. Operating Nut	Bronze ASTM A584 Alloy 83600
3. Retainer Ring	Nitrile
4. Upper Body	Cast Iron ASTM A126 Class B
5. Window	Lexan-UV Stabilized
6. "Open" Target	Cast Aluminum
7. "Shut" Target	Cast Aluminum
8. Pipe Plug 1/2" NPT	Steel - Zinc Plated
9. Eye Bolt	Steel
10. Operating Rod	H.R. Steel ANSI M1020
11. Target Carrier Nut	Bronze ASTM B854 Alloy 83600
12. Target Carrier Plate	Steel
13. Target Retainer Clamp	Stainless Steel Type 302
14. Hex Nut	Steel - Zinc Plated
15. Pan Head Screw	Steel - Zinc Plated
16. Hex Head Screw	Steel - Zinc Plated
17. Spacer Sleeve	Ductile Iron
18. Body - Outer	Ductile Iron
19. Body - Inner	Ductile Iron
20. Hex Head Screw	Steel - Zinc Plated
21. Operator Rod Coupling	Cast Iron ASTM A126 Class B
22. Cotter Pin	Brass
23. Hex Head Screw	Steel - Zinc Plated
24. Base Flange	Cast Iron ASTM A126 Class B
25. Hex Head Screw	Steel - Zinc Plated
26. Hex Nut	Steel - Zinc Plated



**NIP-1AJ**  
Upright Post

**NIBCO Fig. No. NIP-1AJ**  
**Mated to NIBCO IBBM Gate Valves**  
**Bury Depth Dimensions (Inches - Rounded)\***

Valve Size**	Min. Bury Depth			Max. Bury Depth		
	NIP-1AJ	NIP-1AJE	NIP-1AJEE	NIP-1AJ	NIP-1AJE	NIP-1AJEE
4"	33"	51"	59"	52"	70"	88"
6"	40"	58"	76"	59"	77"	95"
8"	43"	61"	79"	62"	80"	98"
10"	48"	66"	84"	67"	85"	103"
12"	52"	70"	88"	71"	89"	107"

Note: Add 18" Bury Depth for NIP-1AJE

Add 36" Bury Depth for NIP-1AJEE

Special lengths available in 6" increments, P.O.A. beyond NIP-1AJEE

## Indicator Post Gate Valve Dimensions

Valve Size	4"		6"		8"		10"		12"	
	In.	mm.	In.	mm.	In.	mm.	In.	mm.	In.	mm.
Dimension from centerline of valve to top of the operating nut	F/M609 (IBBM)	14.1 358	18.6 472	22.1 561	25.8 655	29.5 749				
	F/M609RW	13.5 342	17.0 432	20.5 520	23.8 605	27.0 686				
Turns to open (±.5 turn)	F/M609 (IBBM)	9	13.5	17.5	30.25	38.25				
	F/M609RW	12.8	15	17.6	21.2	25.1				

